

REVISION RECORD				
REV	ECD	DESCRIPTION	DRFT	CHKD

MATERIAL:

- 1. HOUSING MATERIAL : GLASS FILLED POLYESTER UL94V-0.
- 2. CONTACT MATERIAL : PHOSPHOR BRONZE t=0.35mm.
- 3. PLATING : SELECTING GOLD PLATING 3u"~50u" OVER NICKEL IN CONTACT AREA. 150u" TIN PLATING OVER NICKEL IN SOLDER AREA

ELECTRICAL:

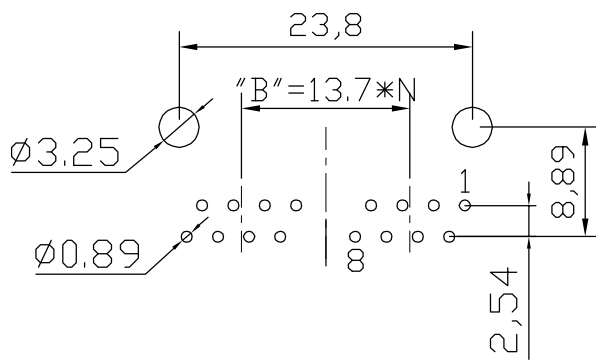
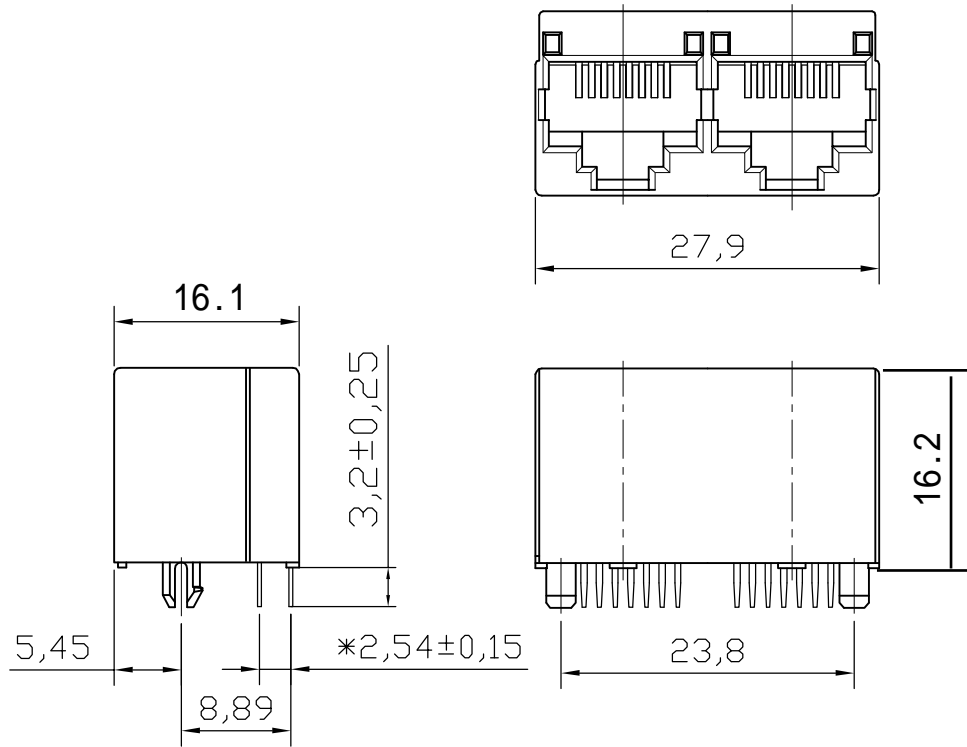
- 1. VOLTAGE RATING : 125 VAC RMS.
- 2. CURRENT RATING : 1.5 AMP.
- 3. CONTACT RESISTANCE : 30 MILLIOHMS MAX.
- 4. INSULATION RESISTANCE : 500 MEGOHMS MIN @ 500V DC .
- 5. DIELECTRIC WITHSTANDING RESISTANCE : 1000V AC RMS 50Hz. 1MIN.

MECHANICAL:

- 1. DURRABILITY: : 750 CYCLES MIN.
- 2. PCB RETENTION PRE-SOLDER : 1 LB MIN.

ENVIRONMENTAL:

- 1. STORAGE : -40° C TO 85° C.
- 2. OPERATION : 0° C TO 70° C.



PC Board Layout
Component Side Shown

DETACHED LISTS	← MM (INCH) →		DFTO: SHB	DATE: 2007.05.05	Coor Ie库乐科技	
	TOLERANCES EXCEPT AS NOTED		CHKD: LANBO	DATE: 2007.05.05		
			MFO:	DATE:		
			APPVL:	DATE:		
			MATERIAL :			
ANGLES ± 0.5		QTY :	TITLE		5224 TOP ENRY JACK 2 PORT	
 THIRD ANGLE PROJECTION		FINISH :	DRAWING NO. TE521005		SIZE	REV
		SCALE :	/PART NO.		A3	0
DO NOT SCALE DRAWING				SHEET OF		